



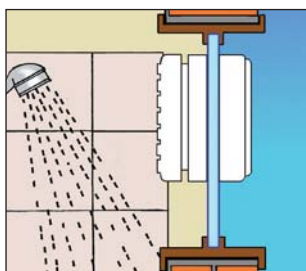
AXIAL FANS WITH MANUAL AND AUTOMATIC SHUTTER
VENTIL & VENTIMATIC





AXIAL FANS WITH MANUAL AND AUTOMATIC SHUTTER VENTIL & VENTIMATIC

- Axial fans to extract air and fumes directly outside.
 - Window or panel installation with thickness up to 5mm.
 - Grille made in shining ABS material.
 - Rain proof external grille.
 - In accordance with EN 60335-2-80.
- For *Ventil* range, manual opening and closing of shutter, through a pull cord.
- For *Ventimatic* range, automatic opening and closing of shutter.

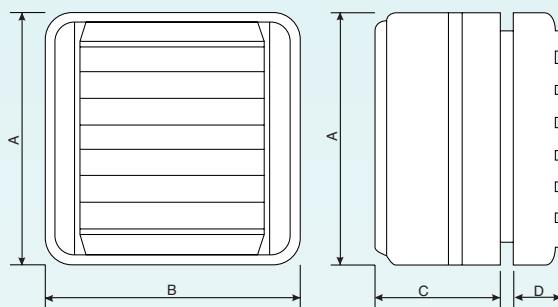


Ventimatic range
Splashproof fans for areas with high humidity.

Accessories

Model	Ref.
Double glazing kit Ventil/Ventimatic 10	OW 877 3
Double glazing kit Ventil/Ventimatic 15	OW 879 9

Dimensions



Model	A	B	C	D
Ventil 10 - Ventimatic 10	154	154	77	29
Ventil 12 - Ventimatic 12	174	174	74	29
Ventil 15 - Ventimatic 15	210	210	99	29



Low motion and noiseless opening and closing of shutter (*Ventimatic* range).



All *Ventil* and *Ventimatic* range are supplied with anti-vibration gasket.

Technical Data

Model	Ref.	Window hole diameter mm	Flow rate m ³ /h	W	Nominal Voltage and Frequency	dB (A) 3 m	Weight kg
VENTIL 10	OW 840 1	135÷145	68	20	220-240V 50Hz	42	0,9
VENTIL 12	OW 841 9	155÷165	100	21	220-240V 50Hz	42	1
VENTIL 15	OW 842 7	186÷195	155	30	220-240V 50Hz	43	1,6
VENTIMATIC 10	OW 110 9	135÷145	68	20	220-240V 50Hz	42	0,9
VENTIMATIC 12	OW 111 7	155÷165	100	21	220-240V 50Hz	42	1
VENTIMATIC 15	OW 112 5	186÷195	155	30	220-240V 50Hz	43	1,6