



TG-DH/PT..

Immersion sensors with housing

Temperature sensors with PT100- or PT1000-element and wiring housing, intended for water temperature measurement.

- M16 cable gland
- Bayonet mounted cover
- R1/4" thread
- Stainless steel immersion sensor
- Compact and modern design

Sensors in the Tempero series with a modern unobtrusive design. The sensors are intended for water temperature measurement.

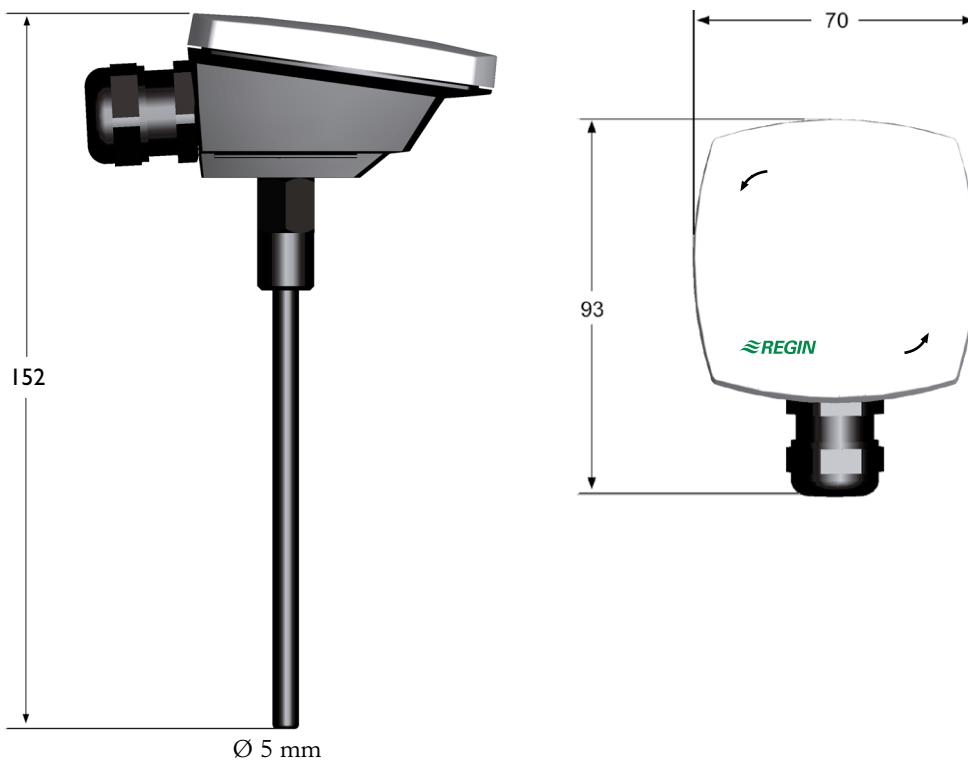
Models

TG-DH/PT100	Immersion sensor with housing, PT100-element
TG-DH/PT1000	Immersion sensor with housing, PT1000-element

Technical data

Temperature range	-20...+120°C
Sensor element	PT100/PT1000, DIN class B
Time constant	4 s
Insertion length	90 mm
Diameter "probe"	Ø 5 mm
Thread	R1/4"
Pressure class	PN16
Protection class	IP65
Material	Stainless steel, standard: SIS 2343 acid-resistant

Dimensions (mm)



Head Office Sweden
 Phone: +46 31 720 02 00
 Web: www.regin.se
 Mail: info@regin.se

Sales Offices
 France: +33 14 171 46 46
 Hong Kong: +852 24 07 02 81
 Singapore: +65 67 47 82 33
 Germany: +49 30 77 99 40

REGIN

THE CHALLENGER IN BUILDING AUTOMATION