



FANS WITH "AUTOMATIC SHUTTER"
in A SERIES





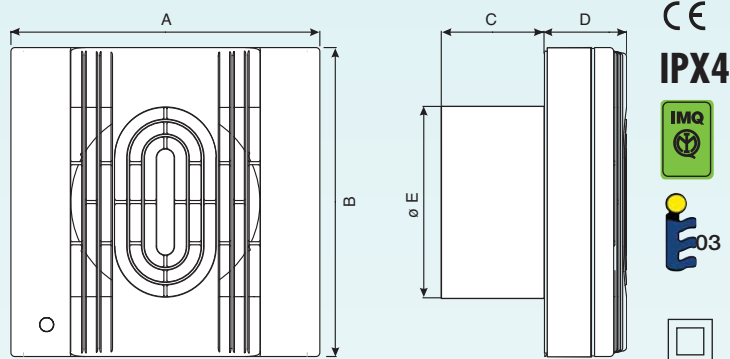
FANS WITH "AUTOMATIC SHUTTER" in A SERIES

Axial fans to extract air directly outside or through ducting.

Suitable for wall, ceiling and window (through window kit accessory) installations.

- Grille provided with internal automatic shutter.
- Original and innovative design
- All models are supplied with "operating warning light".
- Quick and functional installation through "click assembly" of the fan.
- Two fixing screws to allow easy installation on the wall.
- Internal wall dimensions have been reduced to allow easy installation when using ducting and bends.
- The range is composed of 24 models in 100-120-150 mm, standard, Timer, Humidistat and PIR version and motor with ball bearing in some models.
- Very high performances in terms of flow rate, low dB (A) and low power consumption due to a precise study of optimisation of motor-impeller combination.

Dimensions



Model	A	B	C	D	E
SERIE IN 10/4 A	160	160	53	42	Ø100
SERIE IN 12/5 A	180	180	53	43	Ø120
SERIE IN 15/6 A	210	210	66	44	Ø150

- Careful selection of components: ABS + filled polypropylene.
- Protection grade: IPX4 in accordance with Standard EN 60529.
- Double insulated product, electric ground is not necessary.
- Voltage: 220-240V, 50Hz.
- In accordance with Standard EN 60335-2-80.
- International Approval Keymark, issued by IMQ.
- Working temperature 45°C.

Technical Data

Model	Rif.	Hole diameter mm	Flow rate m ³ /h	W	Nominal voltage and frequency	Max.Press. mm H ₂ O	dB (A) 3m	Weight Kg
IN 10/4 A	OW 504 3	100	110	16	220-240 V 50Hz	2,8	35,6	0,6
IN 10/4 A T	OW 516 7	100	110	16	220-240 V 50Hz	2,8	35,6	0,6
IN 10/4 A HT	OW 519 1	100	110	16	220-240 V 50Hz	2,8	35,6	0,6
IN 10/4 A PIR	OW 522 5	100	110	16	220-240 V 50Hz	2,8	35,6	0,6
IN BB 10/4 A	OW 531 6	100	110	16	220-240 V 50Hz	2,8	35,6	0,6
IN BB 10/4 A T	OW 534 0	100	110	16	220-240 V 50Hz	2,8	35,6	0,6
IN BB 10/4 A HT	OW 537 3	100	110	16	220-240 V 50Hz	2,8	35,6	0,6
IN BB 10/4 A PIR	OW 540 7	100	110	16	220-240 V 50Hz	2,8	35,6	0,6
IN 12/5 A	OW 505 0	120	185	21	220-240 V 50Hz	4,2	38,8	0,7
IN 12/5 A T	OW 517 5	120	185	21	220-240 V 50Hz	4,2	38,8	0,7
IN 12/5 A HT	OW 520 9	120	185	21	220-240 V 50Hz	4,2	38,8	0,7
IN 12/5 A PIR	OW 523 3	120	185	21	220-240 V 50Hz	4,2	38,8	0,7
IN BB 12/5 A	OW 532 4	120	185	21	220-240 V 50Hz	4,2	38,8	0,7
IN BB 12/5 A T	OW 535 7	120	185	21	220-240 V 50Hz	4,2	38,8	0,7
IN BB 12/5 A HT	OW 538 1	120	185	21	220-240 V 50Hz	4,2	38,8	0,7
IN BB 12/5 A PIR	OW 541 5	120	185	21	220-240 V 50Hz	4,2	38,8	0,7
IN 15/6 A	OW 506 8	150	340	33	220-240 V 50Hz	6,2	42,2	0,9
IN 15/6 A T	OW 518 3	150	340	33	220-240 V 50Hz	6,2	42,2	0,9
IN 15/6 A HT	OW 521 7	150	340	33	220-240 V 50Hz	6,2	42,2	0,9
IN 15/6 A PIR	OW 524 1	150	340	33	220-240 V 50Hz	6,2	42,2	0,9
IN BB 15/6 A	OW 533 2	150	340	33	220-240 V 50Hz	6,2	42,2	0,9
IN BB 15/6 A T	OW 536 5	150	340	33	220-240 V 50Hz	6,2	42,2	0,9
IN BB 15/6 A HT	OW 539 9	150	340	33	220-240 V 50Hz	6,2	42,2	0,9
IN BB 15/6 A PIR	OW 542 3	150	340	33	220-240 V 50Hz	6,2	42,2	0,9



TECHNICAL FEATURES – FUNCTIONS – APPLICATIONS *in* SERIES FANS



Timer, HT, PIR

Timer

When switched on, the fan has a delay of 5 seconds and remains on after being switched off according to the preset time on the electronic timer.

The preset time on the electronic timer is approx 15 minutes and is adjustable from 2 to 20 minutes.

Presence infra red sensor PIR

The fan starts automatically when the infra red sensor detects a presence in the room.

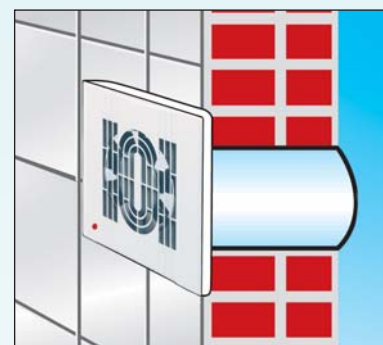
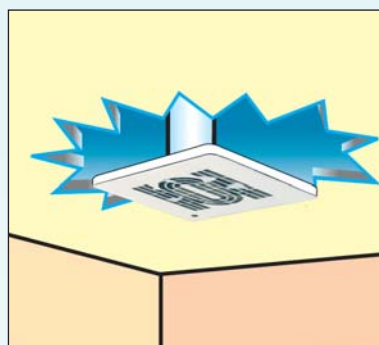
When the room is vacated the timer takes control keeping the fan operating for a preset time.

HT (humidistat and electronic timer)

The fan starts automatically when the humidity level in the room is higher than the pre-determined humidity level on the potentiometer which allow to adjust from 40% to 90%.

Through manual adjustment the fan will be operating for all preset time on the potentiometer.

Applications

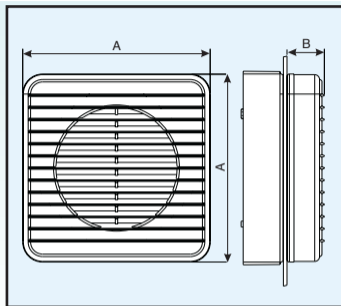


The reduced (internal) dimensions of the product allow installation on every kind of ducting.



Quick installation on window through kit accessory.

Accessories IN series



Window kit

Kit accessory for window and panel application.

Window Kit is suitable for installation in a single, double glazing window glass or wood panel, from 3 to a thickness of 20 mm.

Model	Ref.	A	B	hole diameter
Kit Finestra 10/4	OW 591 0	155	31	132,5÷145
Kit Finestra 12/5	OW 592 8	175	31	152,5÷165
Kit Finestra 15/6	OW 593 6	211	31	186÷195

- Gravity Shutter
- Grille
- Electronic Controller: See page 109.