



# "LOW PROFILE" FANS *in* SERIES





# "LOW PROFILE" FANS in SERIES

• Axial fans to extract air directly outside or through ducting.

Suitable for wall, ceiling and window (through window kit accessory) installations.

• "Slim grille" with original and innovative design.

• Quick and functional installation through "click assembly" of the fan.

• All models are supplied with "operating warning light".

• Two fixing screws to allow easy installation on the wall.

• Reduced internal wall dimensions to allow installation where the bend of ducting is close to the outlet of the product.

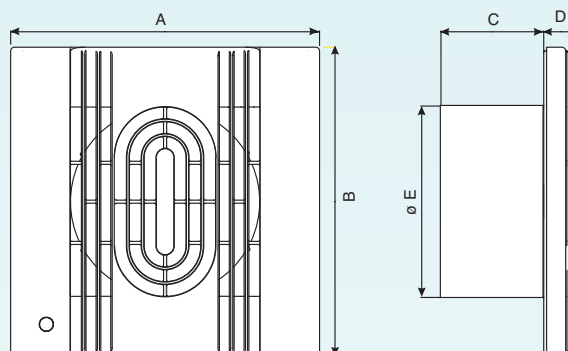
• The range is composed of 22 models in 100-120-150 mm, standard, Timer, PIR, HT, 12Volt version and motor with ball bearing in some models.

• Very high performances in terms of flow rate, low dB (A) and low power consumption due to a precise study of optimisation of motor-impeller combination.

Performance tests in accordance with Standard UNI 10531

Noise tests in accordance with Standard UNI EN ISO 3741

## Dimensions



CE

IPX4



Model	A	B	C	D	E
<b>SERIE IN 10/4</b>	160	160	53	18	Ø100
<b>SERIE IN 12/5</b>	180	180	53	19	Ø120
<b>SERIE IN 15/6</b>	210	210	66	20	Ø150

• Performance and noise tests on product samples (IN 10/4, IN 12/5, IN 15/6 models) carried out by IMQ laboratory.

• Careful selection of components: ABS + filled polypropylene.

• Protection grade: IPX4 in accordance with Standard EN 60529.

• Double insulated product, electric ground is not necessary.

• Voltage: 220-240V, 50Hz.

• In accordance with Standard EN 60335-2-80

• International Approval Keymark, issued by IMQ.

• Working temperature 45°C.

## Technical Data

Model	Rif.	Hole diameter mm	Flow rate m <sup>3</sup> /h	W	Nominal voltage and frequency	Max.Press. mm H <sub>2</sub> O	dB (A) 3m	Weight Kg
<b>IN 10/4</b>	OW 501 9	100	105	13	220-240 V 50Hz	2,8	35,6	0,5
<b>IN 10/4 T</b>	OW 507 6	100	105	13	220-240 V 50Hz	2,8	35,6	0,5
<b>IN BB 10/4</b>	OW 525 8	100	105	13	220-240 V 50Hz	2,8	35,6	0,5
<b>IN BB 10/4 T</b>	OW 528 2	100	105	13	220-240 V 50Hz	2,8	35,6	0,5
<b>IN 10/4 HT</b>	OW 543 1	100	105	13	220-240 V 50Hz	2,8	35,6	0,5
<b>IN 10/4 PIR</b>	OW 546 4	100	105	13	220-240 V 50Hz	2,8	35,6	0,5
<b>IN 12/5</b>	OW 502 7	120	180	18	220-240 V 50Hz	4,6	38,8	0,6
<b>IN 12/5 T</b>	OW 508 4	120	180	18	220-240 V 50Hz	4,6	38,8	0,6
<b>IN BB 12/5</b>	OW 526 6	120	180	18	220-240 V 50Hz	4,6	38,8	0,6
<b>IN BB 12/5 T</b>	OW 529 0	120	180	18	220-240 V 50Hz	4,6	38,8	0,6
<b>IN 12/5 HT</b>	OW 544 9	120	180	18	220-240 V 50Hz	4,6	38,8	0,6
<b>IN 12/5 PIR</b>	OW 547 2	120	180	18	220-240 V 50Hz	4,6	38,8	0,6
<b>IN 15/6</b>	OW 503 5	150	330	30	220-240 V 50Hz	6,2	42,2	0,8
<b>IN 15/6 T</b>	OW 509 2	150	330	30	220-240 V 50Hz	6,2	42,2	0,8
<b>IN BB 15/6</b>	OW 527 4	150	330	30	220-240 V 50Hz	6,2	42,2	0,8
<b>IN BB 15/6 T</b>	OW 530 8	150	330	30	220-240 V 50Hz	6,2	42,2	0,8
<b>IN 15/6 HT</b>	OW 545 6	150	330	30	220-240 V 50Hz	6,2	42,2	0,8
<b>IN 15/6 PIR</b>	OW 548 0	150	330	30	220-240 V 50Hz	6,2	42,2	0,8



# TECHNICAL FEATURES – FUNCTIONS – APPLICATIONS *in* SERIES FANS



## Timer, HT, PIR

### Timer

When switched on, the fan has a delay of 5 seconds and remains on after being switched off according to the preset time on the electronic timer.

The preset time on the electronic timer is approx 15 minutes and is adjustable from 2 to 20 minutes.

### Presence infra red sensor PIR

The fan starts automatically when the infra red sensor detects a presence in the room.

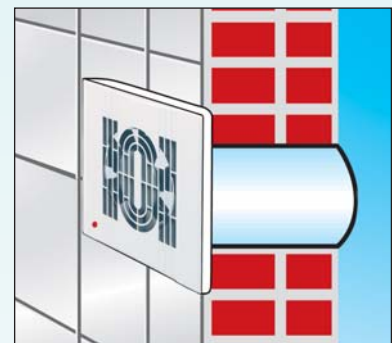
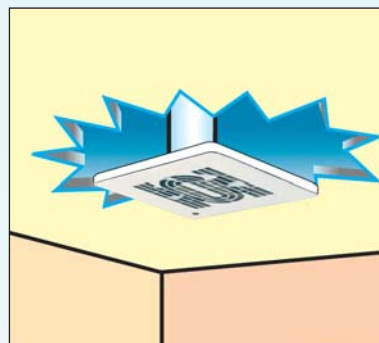
When the room is vacated the timer takes control keeping the fan operating for a preset time.

### HT (humidistat and electronic timer)

The fan starts automatically when the humidity level in the room is higher than the pre-determined humidity level on the potentiometer which allow to adjust from 40% to 90%.

Through manual adjustment the fan will be operating for all preset time on the potentiometer.

## Applications

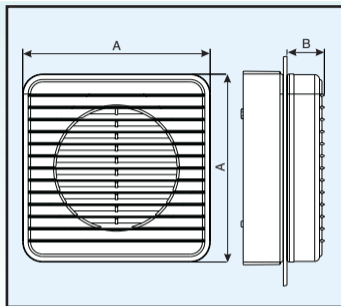


The reduced (internal) dimensions of the product allow installation on every kind of ducting.



Quick installation on window through kit accessory.

## Accessories IN series



### Window kit

*Kit accessory for window and panel application.*

*Window Kit is suitable for installation in a single, double glazing window glass or wood panel, from 3 to a thickness of 20 mm.*

Model	Ref.	A	B	hole diameter
<b>Kit Finestra 10/4</b>	OW 591 0	155	31	132,5÷145
<b>Kit Finestra 12/5</b>	OW 592 8	175	31	152,5÷165
<b>Kit Finestra 15/6</b>	OW 593 6	211	31	186÷195

• Gravity Shutter • Grille • Electronic Controller: See page 109.